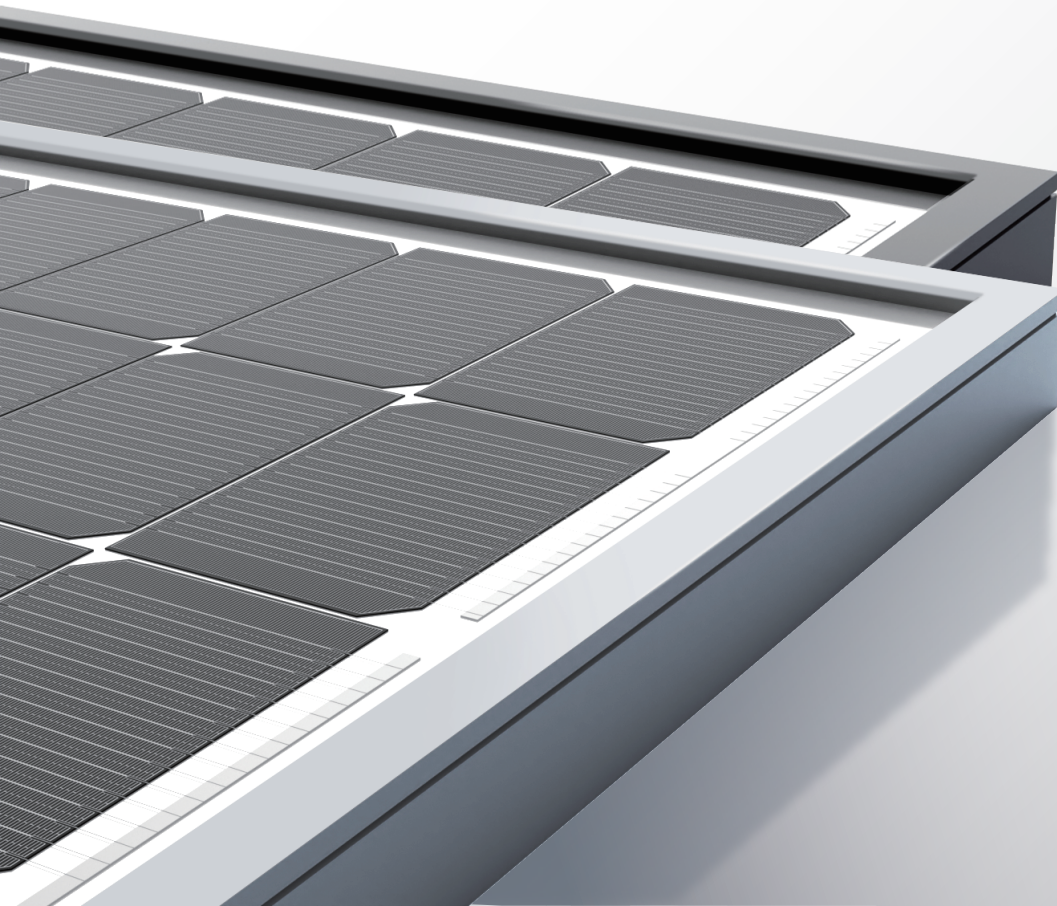


N
182mm

680~700W

182mm Cells Mono
N-type TOPCon with the 16BB & Half-cut
Technology



Hi Neo
4

N N-TOPCon Cell Technology

Low Power Degradation

PID Excellent An-PID, Low LID Performance

Excellent Durability

Excellent Low Irradiance Performance

HOT Reduced Hot Spot Risk

Complete System and Product Certifications

*IEC 61215, IEC 61730, UL 61730

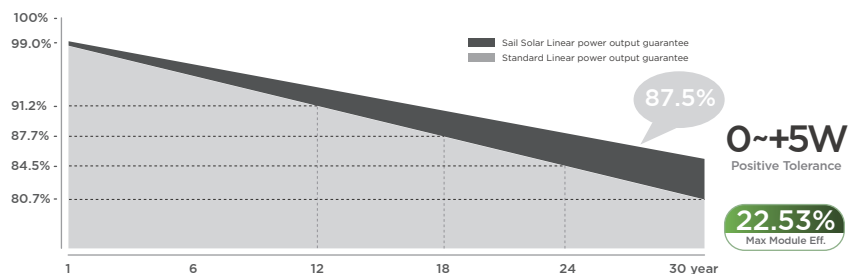
*ISO 9001:2008: ISO Quality Management System

*ISO 14001:2004: ISO Environment Management System

*OHSAS 18001:2007 Occupational Health and Safety

*Specifications subject to technical changes and tests. Sail Solar reserves the right of interpretation.

Quality Guarantee



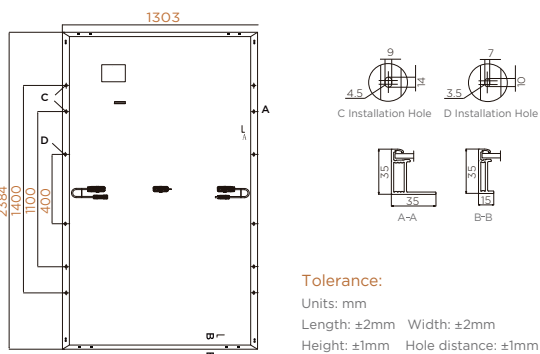
30-year Warranty for Extra Linear Power Output

15-year Warranty for Materials and Processing

Hi Neo 4

680~700W

Mechanical Parameters



Cell Orientation	132 (2x66)
Junction Box	IP68, three diodes
Output Cable	4mm ² , 300mm in length, length can be customized
Glass	Single glass 3.2mm coated tempered glass
Frame	Anodized aluminum alloy frame
Weight:	33.6kg ± 3%
Dimension	2384×1303×35 mm
Packaging	31 pcs per pallet 558pcs per 40'ft Container

Operational Temperature	-40°C~+85°C
Power Output Tolerance	0~+4.99W
Voc & Isc Tolerance	±3%
Max. System Voltage	DC1500V(IEC/UL)
Max. Series Fuse Rating	30A
NOCT	45±2°C
Safety Class	II
Fire Rating	UL type 1 or 2
Max. Static Load(Front)	5400Pa
Max. Static Load(Back)	2400Pa

Electrical Characteristics

Model Number	SAS680MN-132H		SAS685MN-132H		SAS690MN-132H		SAS695MN-132H		SAS700MN-132H	
	STC	NOCT	STC	NOCT	STC	NOCT	STC	NOCT	STC	NOCT
Testing Condition										
Maximum Power (Pmax/W)	680	516	685	520	690	524	695	528	700	532
Open Circuit Voltage (Voc/V)	47.83	43.8	48.02	44	48.22	44.2	48.42	44.4	48.61	44.6
Short Circuit Current (Isc/A)	18.18	15.11	18.22	15.16	18.26	15.21	18.30	15.26	18.34	15.31
Voltage at Maximum Power (Vmp/V)	39.56	36	39.78	36.2	40.00	36.4	40.22	36.6	40.44	36.8
Current at Maximum Power (Imp/A)	17.19	14.34	17.22	14.38	17.25	14.42	17.28	14.46	17.31	14.50
Module Efficiency(%)	21.89		22.05		22.21		22.37		22.53	
Temperature Coefficient of Isc					+0.045%/°C					
Temperature Coefficient of Voc					-0.250%/°C					
Temperature Coefficient of Pmax					-0.290%/°C					

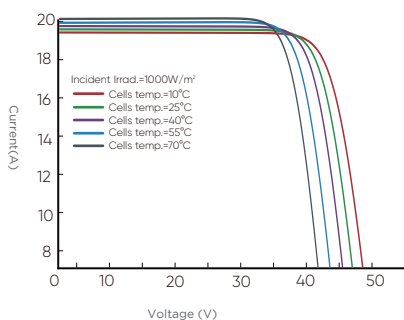
* STC (Standard Testing Conditions): Irradiance 1000W/m², Cell Temperature 25°C, Spectra at AM1.5

* NOCT (Nominal Operating Cell Temperature): Irradiance 800W/m², Ambient Temperature 20°C, Spectra at AM1.5, Wind at 1m/s

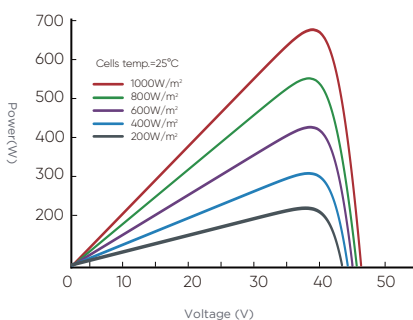
* Test uncertainty for Pmax: ±3%

V-Curve(SAS690MN-132H)

Current-Voltage Curve



Power-Voltage Curve



Current-Voltage Curve

